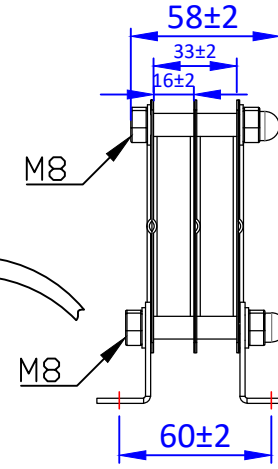
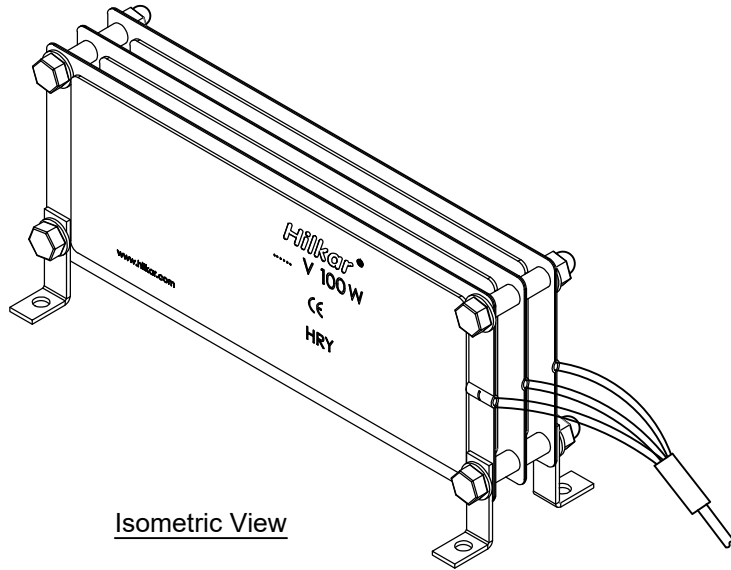


Front View

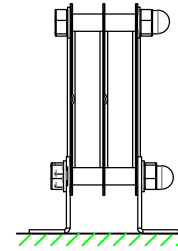


Side View

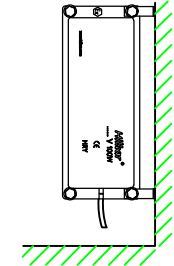


Isometric View

Recommended Mounting Methods



Horizontal Mounting



Vertical Mounting

Technical Data

Operating Voltage (Un)	: 24 - 277 V AC / DC
Maximum Voltage (Um)	: 1,1 x Un
Rated Power (Pn)	: 100 W
Rated Current (In)	: 0,36 - 4,16 A
Heater Frame	: Stainless Steel
Connection	: 3x0,75 mm ² silicone cable
Mounting	: Screw mounted
Arrangement	: Horizontal or Vertical
Protection Degree	: IP 67
ATEX Code	: Ex II 2G Ex eb II T3 Gb
Certificate Nr	: IEP 15 ATEX 0338

COPYRIGHT

© Sampling Sharing Copying

CRIMINAL

Dok.No: 1200.F.001 Rev00

Manufacturer (Üretici)

Hilkar[®]
www.hilkar.com

-	-	-	-	-
02	20.10.2025	A.L.	B.I.	S.C.
01	25.12.2020	Z.H.	M.B.	S.C.
00	24.03.2015	K.A.	S.E.	S.C.
(Rev.No.) Rev.Nr.	(Revizyon Tarihi) Revision Date	(Tasarlayan) Designed By	(Kontrol Eden) Checked By	(Onaylayan) Approved By

Product (Ürün)

100 W 24 - 277 V

ANTI-CONDENSATION HEATER

Title (Başlık)

TECHNICAL DRAWING

Drawing Nr (Çizim No)

HRy.30.Ex-100

Scale (Ölçek)

-

Measuring Unit (Ölçü Birimi)

mm

Sheet (Sayfa)

1/1

Revision (Revizyon)

01